



**HO-HO-KUS, INC.**

... WHERE DREAMS AND IMAGINATION COME TO LIFE

# HK5L5003

## FLUSH LATCH 90° STOP



### HK5L5003 FLUSH PANEL LATCH FEATURES AND BENEFITS

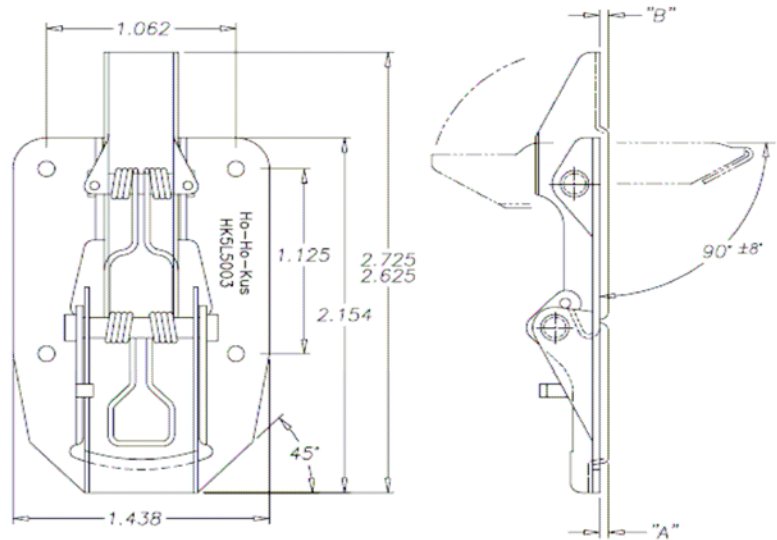
- 90 DEGREES MAX ROTATION ON BOLT
- ELIMINATES DAMAGE TO PANELS AND DOORS
- USE ON EXTERNAL ACCESS DOORS OR INTERIOR PANELS
- EASY INSTALLATION ON ANY STRUCTURE MATERIAL
- RIVET OR SPOT WELD
- LIGHT-WEIGHT SHEET METAL DESIGN
- 300 SERIES STAINLESS STEEL CONSTRUCTION
- ULTIMATE LATCH LOAD: 160 LBS
- OVER 400 COMBINATIONS AVAILABLE

**Door Thickness**  
**Trigger Offset**  
**First Dash # "A" Dim**

025	.025"
032	.032"
040	.040"
051	.051"
064	.064"
072	.072"
081	.081"
091	.091"
102	.102"
115	.115"
125	.125"
142	.142"
156	.156"
164	.164"
188	.188"

**Panel Thickness**  
**Bolt Offset**  
**Second Dash # "B" Dim**

025	.025"
032	.032"
040	.040"
051	.051"
064	.064"
072	.072"
081	.081"
091	.091"
096	.096"
102	.102"
115	.115"
125	.125"
132	.132"
142	.142"
156	.156"
164	.164"
179	.179"
188	.188"
196	.196"
218	.218"
235	.235"
250	.250"
268	.268"
279	.279"
292	.292"
312	.312"
340	.340"



PART No. EXAMPLE

HK5L5003 [ ] - 040 - 064

BASIC PART NUMBER

"B" BOLT OFFSET

FINISH: } NONE = PASSIVATED  
 } P = CADMIUM PLATED  
 (EXCEPT SPRING)

"A" TRIGGER OFFSET



Ho-Ho-Kus, Inc.  
 189-201 Lyon Street  
 Paterson, NJ 07524  
 +1-973-278-2274 office  
 +1-973-278-4805 fax

**Have a question?**



**Ask me!**

**Willie Worm Drive**  
**sales@hohokusinc.com**